

AVChoice™



DEDICATED VETERINARY IMAGING SYSTEM High Frequency, Anatomically Programmed



AVChoice systems are equipped with an integrated tube stand and an anatomically programmed, high frequency generator providing a cost effective and time saving solution for the veterinarian who seeks maximum capability in minimum space.

AVChoice with float top

Key Features

- Integrated tube stand with variable SID
- Angulating tube arm
- Control console on swing out arm mounts to tube stand
- Available with stationary, 2-way float or 4-way float table top

Float top table release

Exposure footswitch



The operator control panel with APR (Anatomical Programmed Radiography) technique setup conveniently mounts on a swing-out arm off either side of the tube stand. This gives the operator the ability to bring the control panel forward or position it to the side for convenient technique setup.

Standard Features

- Welded table construction with 400lb load capacity and urine trap
- Integrated tube stand with electric locks and variable SID travels full length of table
- Angulating tube arm, angulation dial and operator handle
- Electric table locks (on 2-way float and 4-way float table tops)
- Foot activated exposure switch
- 17in x 17in grid cabinet with tube stand interlock
- Grid: 10:1 ratio, 103 line, 34-44in focal range
- Heavy-duty manual cassette tray
- Certified manual collimator with built-in spare bulb and retractable tape measure
- X-ray tube: 140,000 heat unit, 1.0-2.0mm focal spots with 90° horn angle
- One pair 20ft high voltage cables, terminated both ends

System Options

- Available with stationary, 2-way float or 4-way float table top
- DelWorks flat panel DR upgrade package

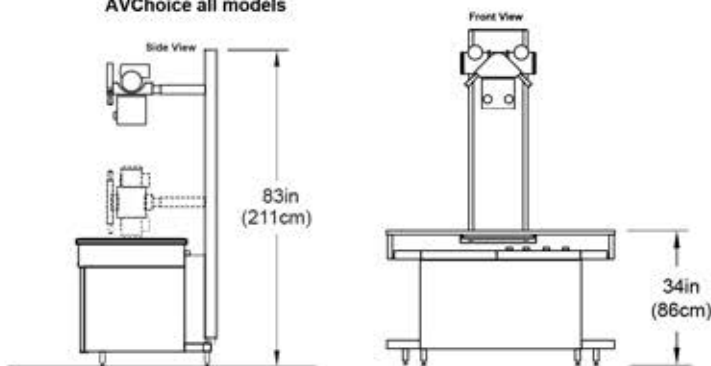
Generator

- ANTHEM 500mA, 32kW, high frequency, three-phase with anatomical programming

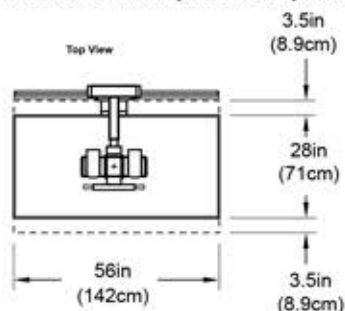
Generator Options

- Pedestal stand or wall mount for console
- Electronics mount in base of table
- Single phase and 40kW generator options also available

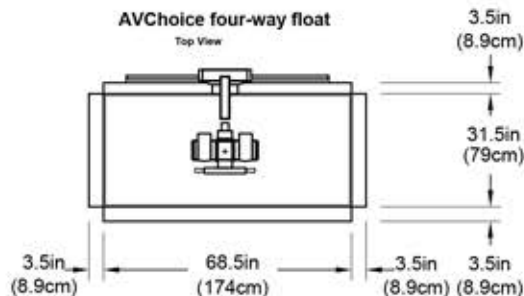
AVChoice all models



AVChoice stationary and two-way float



AVChoice four-way float



DEL MEDICAL

Toll Free: (800) 800-6006
Fax: (847) 288-7011
Email: info@delmedical.com
www.delmedical.com
241 Covington Drive, Bloomington, IL 60108



Universal branded products are manufactured and distributed by UMG/Del Medical. Del Medical is an ISO 13485 & ISO 9001 Certified facility. Specifications are subject to change without notice.



Toll Free: (800) 261-9808
Fax: (914) 835-6111
Email: info@umgray.com
www.umgray.com
28 Calvert Street, Harrison, NY 10528

0113 #9000-AVChoice



800-356-3388
978-374-6371
Fax - 978-521-2214

49 Newark Street
Haverhill, MA 01832
sales@associatedxray.com
www.associatedxray.com