

PODSKAN X-RAY SYSTEM FOR PODIATRY



PodSkán X-Ray System Features

- Monoblock setup
- Rotatable touch screen console mounting arm
- Low X-Ray leakages
- Stainless steel Rigid Patient support Handle allows access from side or front
- Self locking system for vertical positioning of the detector
- High Performance
- Adjustable kV and mAs
- Integrated 2.8 kW high-frequency generator of excellent image quality
- Compact design & high-performance
- Dedicated LCD touchscreen display console & exposure switch
- Tilt head system
- Smooth & precise arm movement
- Rigid patient support handle which allows access from side or front
- Low base height



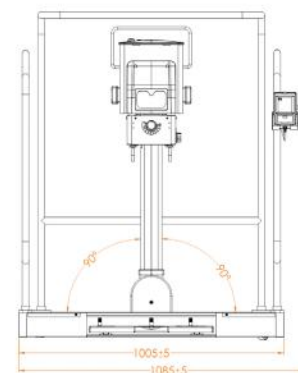
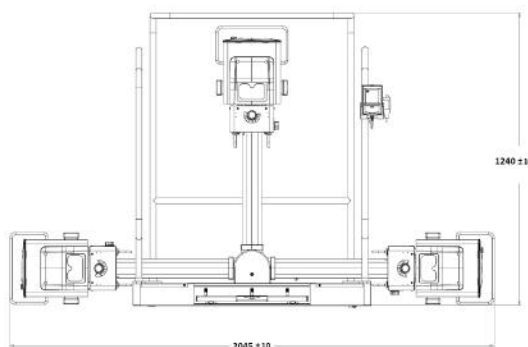
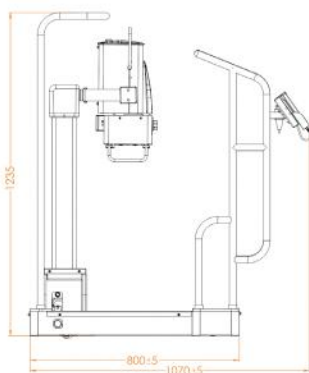
Call us for an in-office demo today
1-800-385-9593



PODSKAN X-RAY SYSTEM FOR PODIATRY

SPECIFICATIONS

Podiatry X-Ray System	
Peak Power	2.8kW for 100 mS
kkVp Range	40-100kV in steps of 2kV
mA Range	10mA-60mA
mAs Range	.32mAs-50mAs in 23 steps
Focal Spot	1.2mm as per IEC60366
Anode Material	Tungsten
Target Angle	16 Degree
Thermal Capacity	20000 HU
Voltage Range	100-240V AC RMS
Frequency Range	50-60Hz
Max Input Current	16A RMS (at 240V) / 38A RMS Max (at 100V)
Appliance Inlet	3-pin IEC60320-1 C20
Power Factor	>0.9 at full load @ 100V AC
Dimensions	31.6in x 35.7in x 43.3in
Weight	231.5 lbs
Base Height	3.7 inches



Associated X-Ray Imaging Corp.
49 Newark Street
Haverhill, MA 01832

Toll Free: 800-356-3388
Phone: 978-374-6371
Fax: 978-521-2214

www.associatedxray.com
sales@associatedxray.com

Call us for an in-office demo today
1-800-385-9593

2302 Beloit Avenue | Janesville, WI 53546 | 800.385.9593
www.televersesystems.com

TVPodSkan-01.03.24