

X-CEL

X-RAY® CORPORATION

*Quality &
Dependability*

*Knee Unit
Option on
back page*

**DEDICATED
FOOT & ANKLE**

**MID BASE
MB-900A/C**

**DEDICATED
EXTREMITY
X-RAY UNITS**

*Specially designed to assist
YOUR radiology needs.
Now . . . and throughout
your practice years.*

**GENERAL
EXTREMITY**

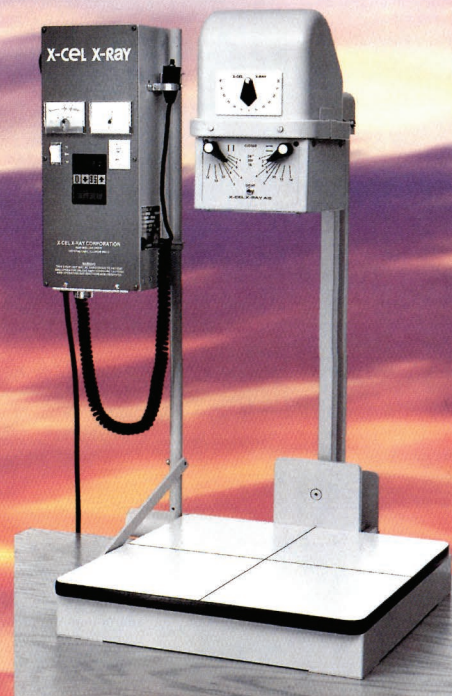
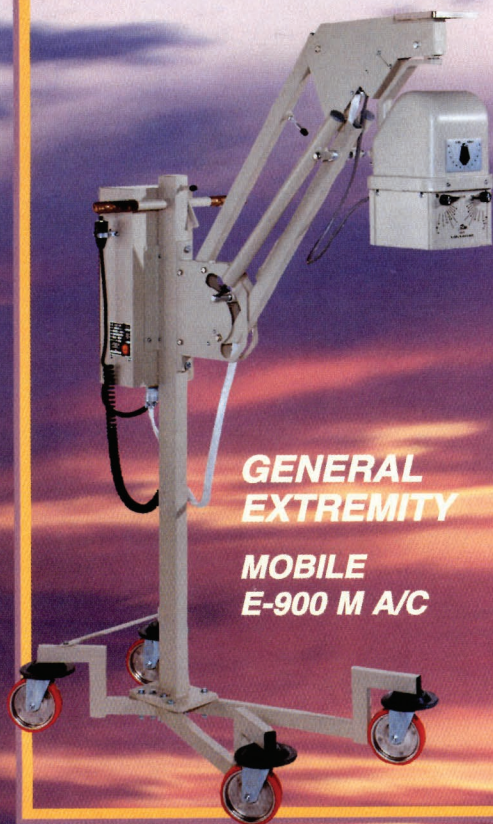
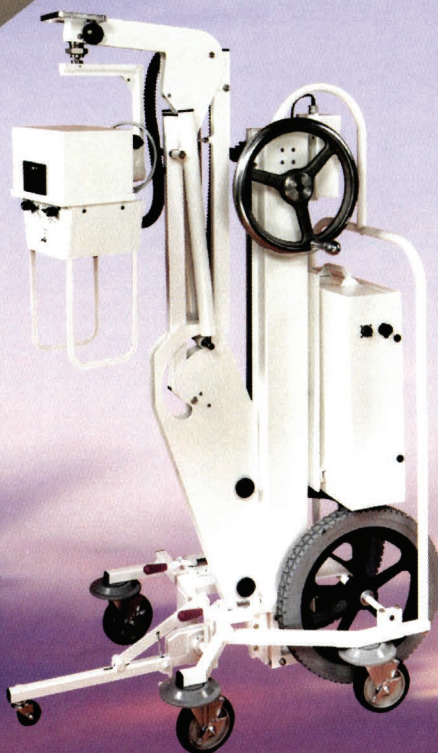
**MOBILE
E-900 M A/C**

**SELF-CONTAINED
TRANSPORTABLE
MOBILE X-RAY UNIT**

M6/MM

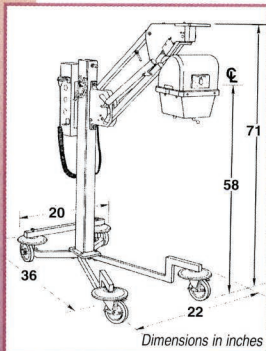
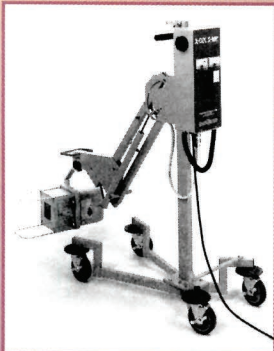
**DEDICATED HAND
X-RAY UNIT**

LBH-700AC



MOBILE E-900 M A/C

- 28 inch SID
- Mobile system brings X-ray to patient
- Large casters roll easily
- Short wheel base easy to position
- X-ray from chair or poser
- Withstands constant moving
- Factory set for 8" poser
- Other X-ray head mounting heights available

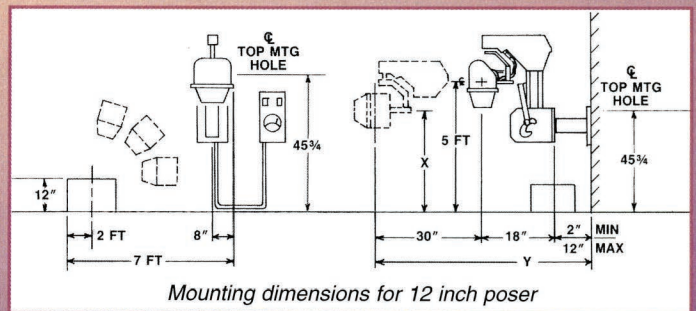
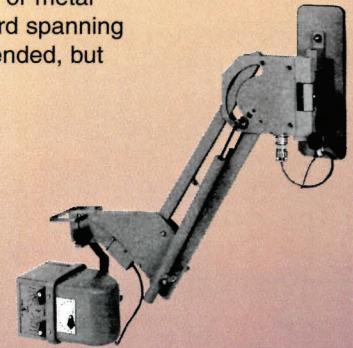


SHORT ARM WALL E-900 W S/A A/C

- 28 inch SID
- Saves floor space
- Take X-rays off chair or poser
- Heavy duty wall mount

Unit mounts easily on wood or metal studs. A wood backing board spanning two metal studs is recommended, but not included with the unit.

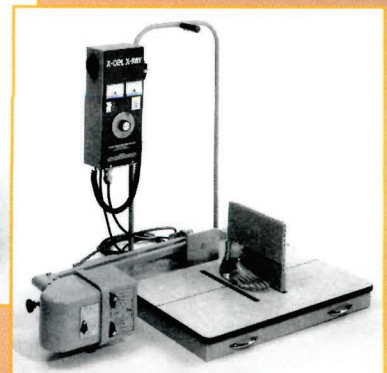
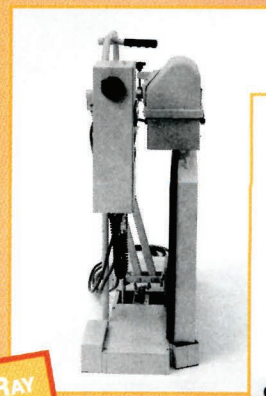
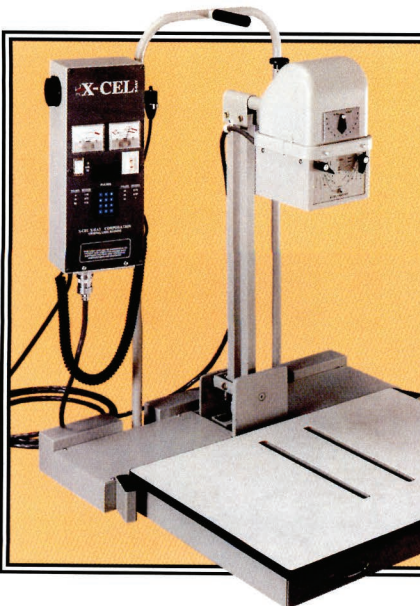
INCHES	
C OF TUBE	
X	Y
60	30
56	44
49	50
42	53



- 28 inch SID
- Saves floor space
- 3.5" inch base height
- Fits between wall and chair
- Minimum space required: 34" x 51"
- Both laterals possible
- Folds to 18" wide
- Fits in hall

FLIP BASE FB-900 A/C

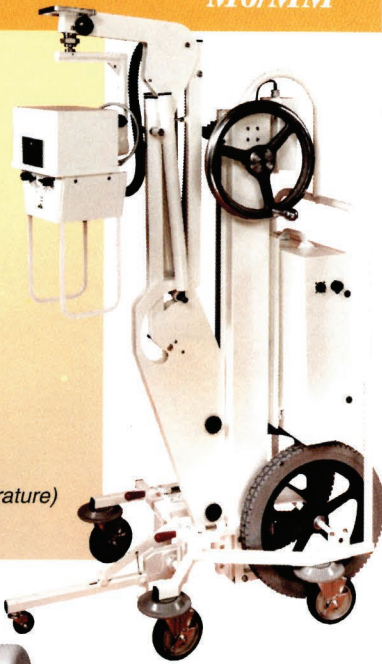
KNEE X-RAY
FILM HOLDER
OPTION!
SEE BACK
PAGE.



SELF-CONTAINED TRANSPORTABLE MOBILE X-RAY UNIT

M6/MM

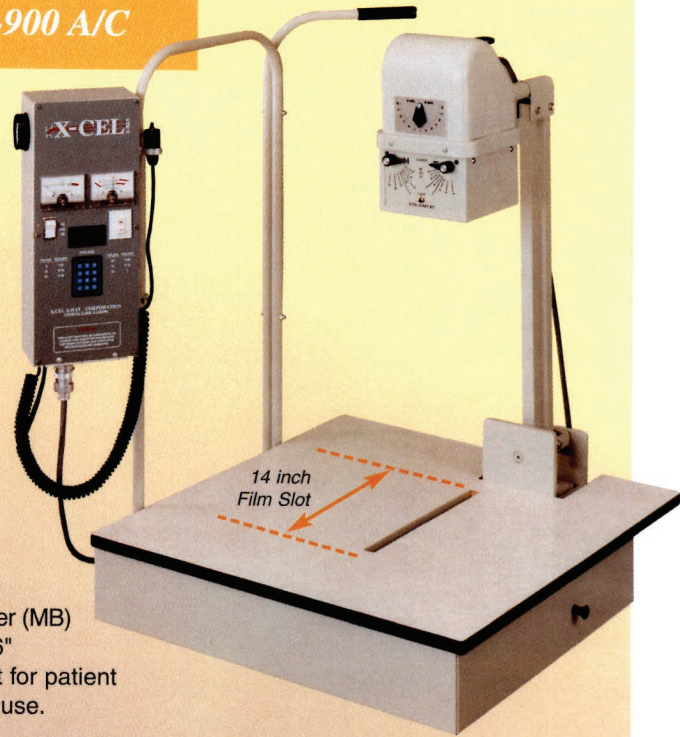
- High Frequency
100kVp - 40 mA
- Lower Power
Required
120V - 5 amp
220V - 2.5 amp
- Easy Assembly
Self-contained
- Great for Chest &
Extremity x-rays
(Ask for additional literature)



KNEE X-RAY
FILM HOLDER
OPTION!
SEE BACK
PAGE.

MID BASE MB-900 A/C

- 28 inch SID
- Radial Arm
- Mid-Base Poser (MB)
- Base height 6"
- Perfect height for patient
and operator use.



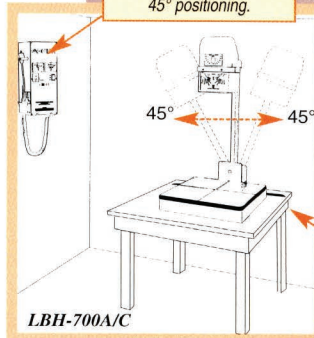
14 inch
Film Slot

DEDICATED HAND LBH-700A/C

- Rotates (45°) for
Carpal Tunnel View
- 28 inch SID
- Radial Arm
- Base height 3.5"
- Fits on Table Top
- Adjustable Collimator

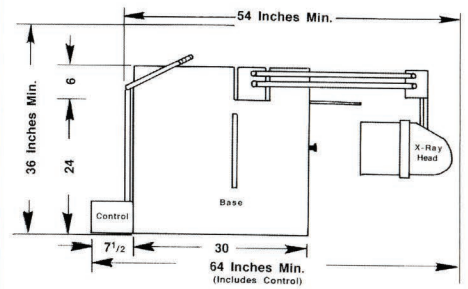


Wall mounting of Control
allows for bi-directional
45° positioning.



LBH-700A/C

DIMENSIONS APPLY TO: MB-900 and LB-900 AC



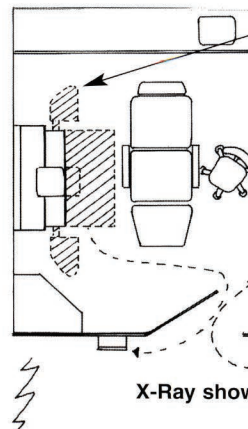
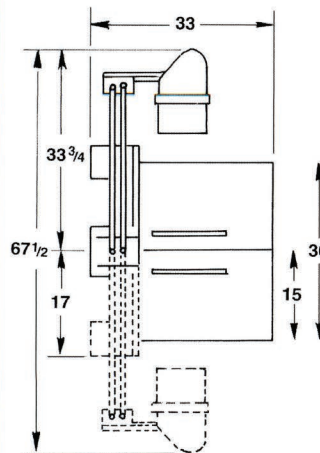
Outrigger for machine stability extends 36 inches.
Stable table supplied by customer. (2' by 3')

CONSIDERATIONS FOR ALL MACHINES

No lead in walls required
With proper planning, lead lining the wall is not required. This must be confirmed by your local inspector.

Darkroom suggestions

- Light leak check
- Proper film selection
- Proper film development. Be sure *darkroom is safe*.
- Without safe light, check darkroom for leaks. It takes 10 minutes for your eyes to adjust to the dark.



X-ray shown in room application
Walk space available with Flip Base up

Plan Layout with State Inspectors.
(Lead may be required.)
See dimensions at left for space requirements.

Other Considerations:

- Operator should be behind shield or out of the room.
- Area must be under control (No additional people).

• Get plan approval from State Radiation Inspector

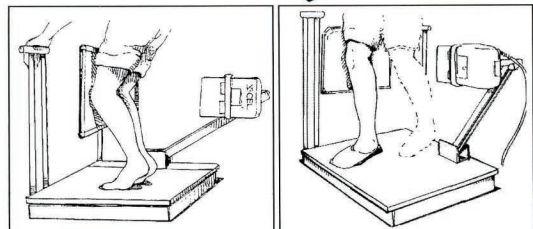
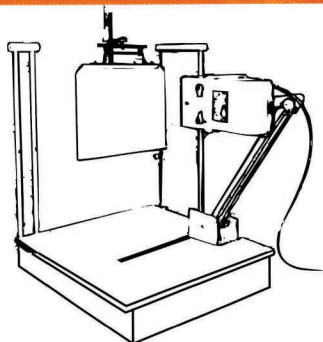
X-Ray shown in Hall Application

KNEE X-RAY FILM HOLDER OPTION

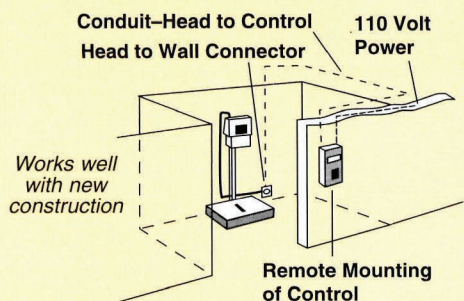
Knee Holder Option can be added to:

MID BASE
MB-900AC

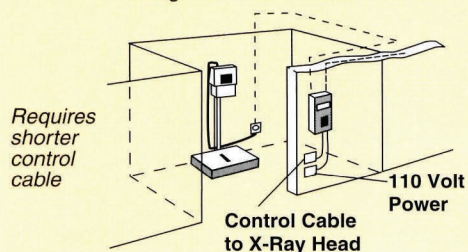
FLIP BASE
FB-900AC



OPTION A: In-the-wall Electrical Conduit Using "In-the-wall Control"



OPTION B: In-the-wall Connector Plates Using standard Head & Control



SOLID STATE CONTROL – Adjustable kVp selection – stabilized mA (tube filament) voltage – 90 kVp/10mA -- audible emission buzzer – mA meter for visual indication of emission with adjustment to compensate for tube filament aging -- exposure button on coiled cord – digital microprocessor control timer (from 6/60 (.1 sec.) to 180/60 (3 sec.)) – Remote mounting with 15 ft. cable.

X-RAY TUBE -- 1.0 mm focal spot gives sharp radiographic results and long life.

RADIOGRAPHIC PLATFORM – 30 X 30 X 6 inches (MB-900 A/C) 24 x 30 x 3 1/2 inches (LB-900 A/C) – hand railing for stability and security – film well has provisions for 8 x 10 and 10 x 12 film cassettes, and a slot large enough for a 14 inch cassette.

RADIAL TUBE ARM – Spring counter balanced – fixes SID at 28 inches on floor models – right lateral standard; opposite laterals available. Mobile and wall units operate at 28 inch SID. FB-900 A/C (Flip Base) is bilateral.

Model	Description
-------	-------------

MB-900 A/C	50-90 kVp Floor 6" Base
LB-900 A/C	50-90 kVp Floor 3 1/2" Base
FB-900 A/C	50-90 kVp Floor 3 1/2" Flip Base
E-900M A/C	50-90 kVp Mobile
E-900W/SA A/C	50-90 kVp Short Arm Wall
LBH-700 A/C	50-70 kVp Dedicated Hand/Table Unit

M6 (Mobile) 56-100 kVp Mobile High Frequency (color: white)

All options must be ordered with the unit.

- Opposite Lateral
- In the wall wiring (requires electrician)
- 220 V/50 Hz operation
- Remote/Radio Signal Exposure Switch
- Remote Low Voltage Key Lock Exposure Switch
- Installation Options
 - A) In-the-wall-Electric Conduit
 - B) In-the-wall-Connector Plates

Series 900

50-90 kVp/10mA
2.59mm AL Equivalent

Series 700

50-70 kVp/10mA } 1.5mm AL Equivalent
50-70 kVp/15mA }

OPTIONS: 700 Series (70 kVp/10mA)

P-700 SERIES -- The 700 series offers less kVp power. Other features are similar to the 900 series, including adjustable kVp from 50 to 70.

POWER REQUIREMENTS – Separate 105/130 Volts, 20 amp grounded service. (It is recommended that the unit be connected to a 20 amp GFCI outlet.)

STANDARD COLOR – Light "Smoke" Gray

ORTHOPOSER – NOT supplied on Wall and Mobile

WARRANTY – 5 Year Mechanical – 2 Year Electrical. Plus 3 Year Electrical Prorated – M6 Models have 1 year warranty

220 Volt AC, 50 Hertz Available

A "Light Tight" dark room and a proper safe light are essential for good image quality. Automatic processing of film is recommended.

AMERICAN COMPONENTS

Whenever feasible, products of American manufacture and origin are used.

X-CEL

X-RAY CORPORATION



MEDICAL X-RAY SYSTEMS
EQUIPMENT • SUPPLIES • SERVICE

Associated X-Ray Imaging Corporation
49 Newark Street
Haverhill, MA 01832

Toll Free: 800-356-3388
Phone: 978-374-6371
Fax: 978-521-2216

www.associatedxray.com
sales@associatedxray.com