

DEL MEDICAL

VS300

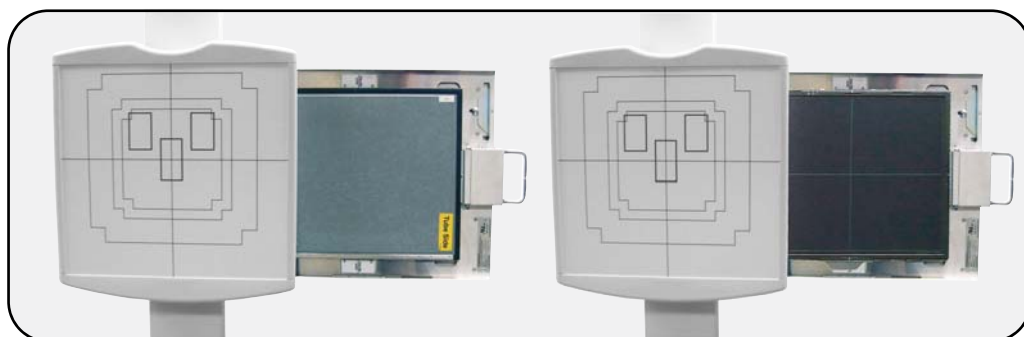
Upright Wall Stand

The Del Medical VS300 has a robust streamlined design with soft, rounded edges to make it an attractive addition for any hospital or busy imaging center.

The smooth vibration free up and down movement along our classic slender column allows for easy and accurate positioning. The bucky lowers to the floor allowing for a full range of upright, standing and cross-table lateral studies.

Product Features

- Electric "Fail Safe" locks
- Ergonomic release handle
- Side-mounted and overhead patient hand grips
- Cable concealment system
- Available with 17" x 17" (43cm x 43cm) grid cabinet or bucky and a wide selection of grid options



Configurable for analog or digital imaging

VS300

Upright Wall Stand

Technical Specifications

Height (includes vertical travel):	84" (213.4cm)
Depth:	13.4" (34cm)
Receptor width:	24.6" (62.5cm)
Weight (with receptor):	200lb (91kg)
Front panel aluminum equivalency:	0.4mm

Electrical Specifications

24VDC, 1.25 max. momentary amps
60' cable for 24VDC is provided

Certifications

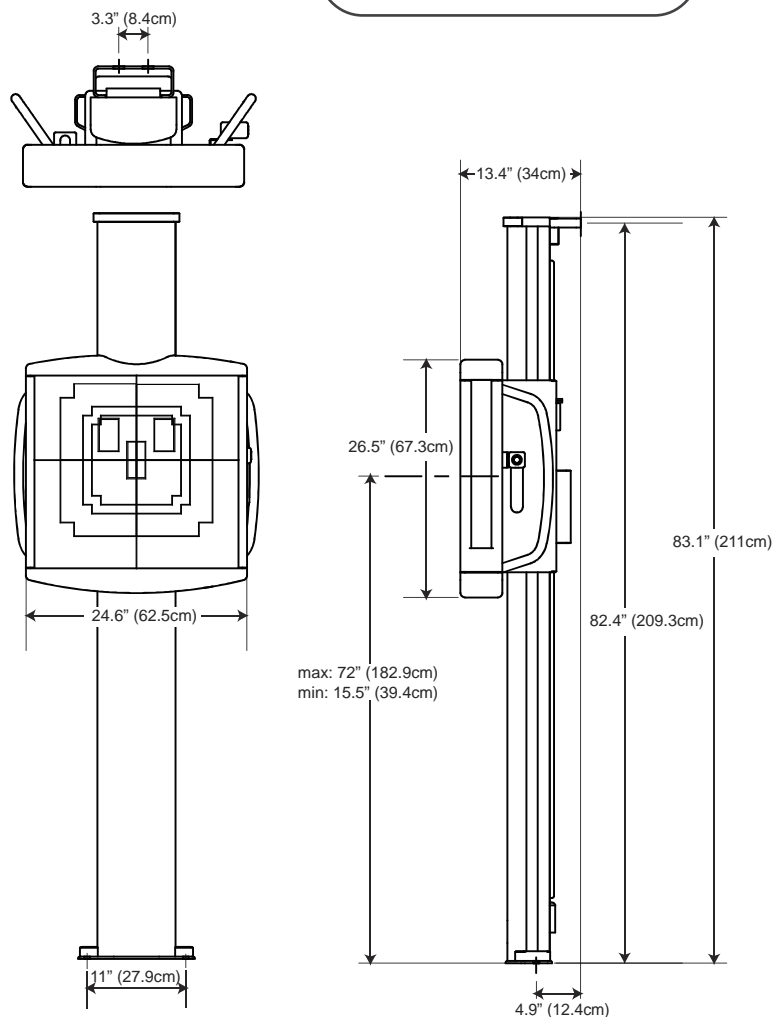
- ETL listed

VS300 Options

- 17" x 17" (43cm x 43cm) grid cabinet or bucky
- Deluxe, heavy-duty manual cassette tray
- Size-sensing cassette tray with PBL interface
- Floor mount kit for freestanding version
- Wall mount bracket extension kit
- Auto tracking kit
- Ion chamber (AEC)
- Variety of grid options



Floor mount kit



MEDICAL X-RAY SYSTEMS
EQUIPMENT • SUPPLIES • SERVICE
800-356-3388

Associated X-Ray Imaging Corp
49 Newark Street
Haverhill, MA 01832
Phone: 800-356-3388 • 978-374-6371
Fax: 978-521-2214

www.associatedxray.com
sales@associatedxray.com