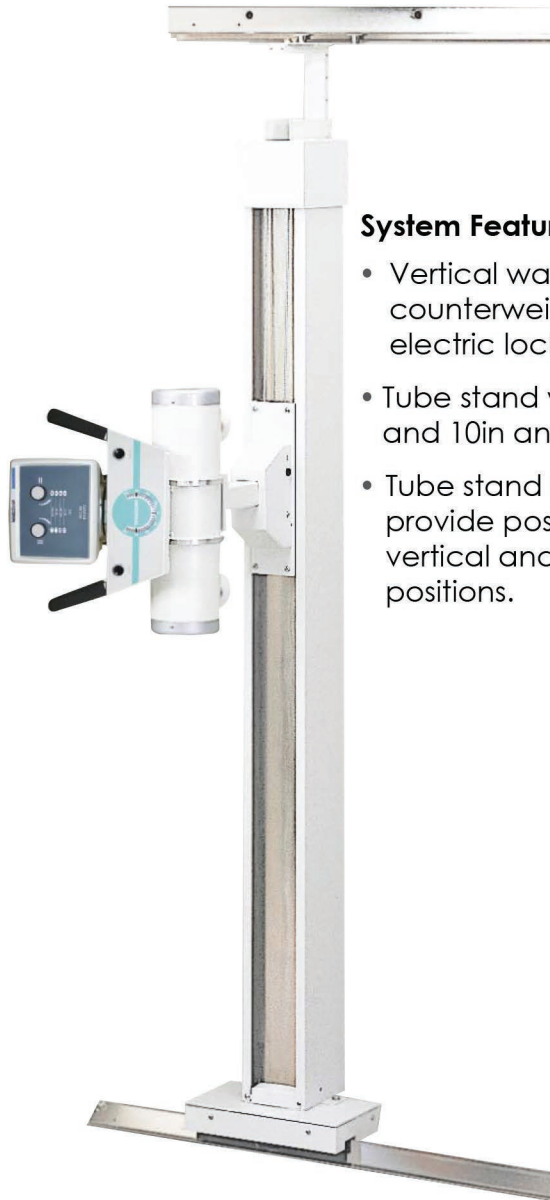
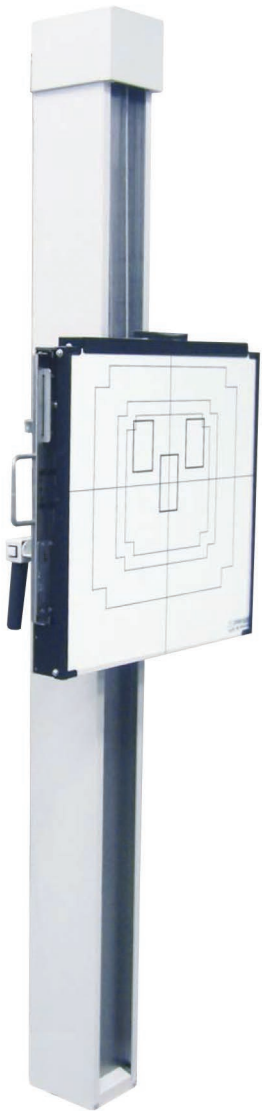


# *Upright Raymaster*

## **Chiropractic Imaging System**

This economical system combines our VS100 (3546) wall stand with our 3307B M tube stand to meet specialized radiographic needs. The VS100's extensive vertical travel of 58.38in (148.28cm) allows for a full range of upright radiographic studies from skull to lower extremities.



### **System Features**

- Vertical wall stand with dual counterweight cables and vertical electric locks for added safety
- Tube stand with 6ft longitudinal rails and 10in angulating tube arm
- Tube stand electro magnetic locks provide positive positioning of vertical and horizontal tube stand positions.

# Upright Raymaster

## Chiropractic Imaging System



### VS100 Wall Stand - Technical Specifications

Wall stand height:	86.75in (220.4cm)
Receptor height:	23.38in (59.4cm)
Vertical travel range:	58.38in (148.28cm)
Wall stand width (with receptor):	23.25in (59cm)
Wall stand depth (with receptor):	13in (33cm)
Maximum focal spot height:	72.38in (183.84cm)
Minimum focal spot height:	14in (35.6cm)
Front panel aluminum equivalency:	0.4mm
Weight:	258lb (117kg)
Power requirements:	24VDC

### 3307 Tube Stand - Technical Specifications

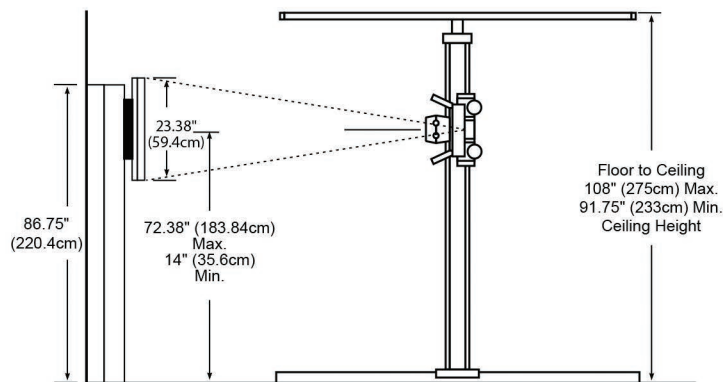
Min. vertical travel:	14.5in (37cm)
Rails:	6ft longitudinal floor and ceiling rail set allows for 40in (100cm) and 72in (180cm) film distances
Maximum ceiling height:	108in (274cm)
Minimum ceiling height:	91.75in (233cm)
Tube rotation:	180° tube rotation about the horizontal axis

### System Options

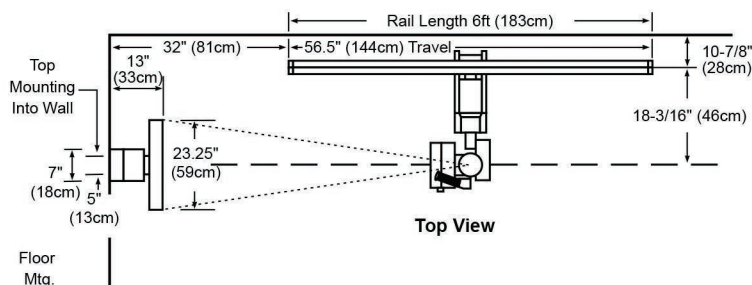
- Choice of high frequency or single phase generators to meet specific needs
- 10:1 or 12:1 ratio grids for analog or digital imaging
- 17in x 17in (43cm x 43cm) grid cabinet or bucky
- Ion chamber (AEC)

### Certifications

ETL listed



Front View



Top View



800-356-3388  
978-374-6371  
Fax - 978-521-2214

49 Newark Street  
Haverhill, MA 01832  
sales@associatedxray.com  
www.associatedxray.com

### DEL MEDICAL

Toll Free: (800) 800-6006  
Fax: (847) 288-7011  
Email: info@delmedical.com  
www.delmedical.com  
241 Covington Drive, Bloomington, IL 61010



Universal branded products are manufactured and distributed by UMG/Del Medical. Del Medical is an ISO 13485 & ISO 9001 Certified facility. Specifications are subject to change without notice.



Toll Free: (800) 261-9808  
Fax: (914) 835-6111  
Email: info@umgxray.com  
www.umgxray.com  
28 Calvert Street, Harrison, NY 10528

0513 #9000UprRayux