



DR PODIATRY SOLUTIONS

Complete Podiatry Digital X-Ray Retrofit System



**DR PODIATRY
SOLUTIONS**

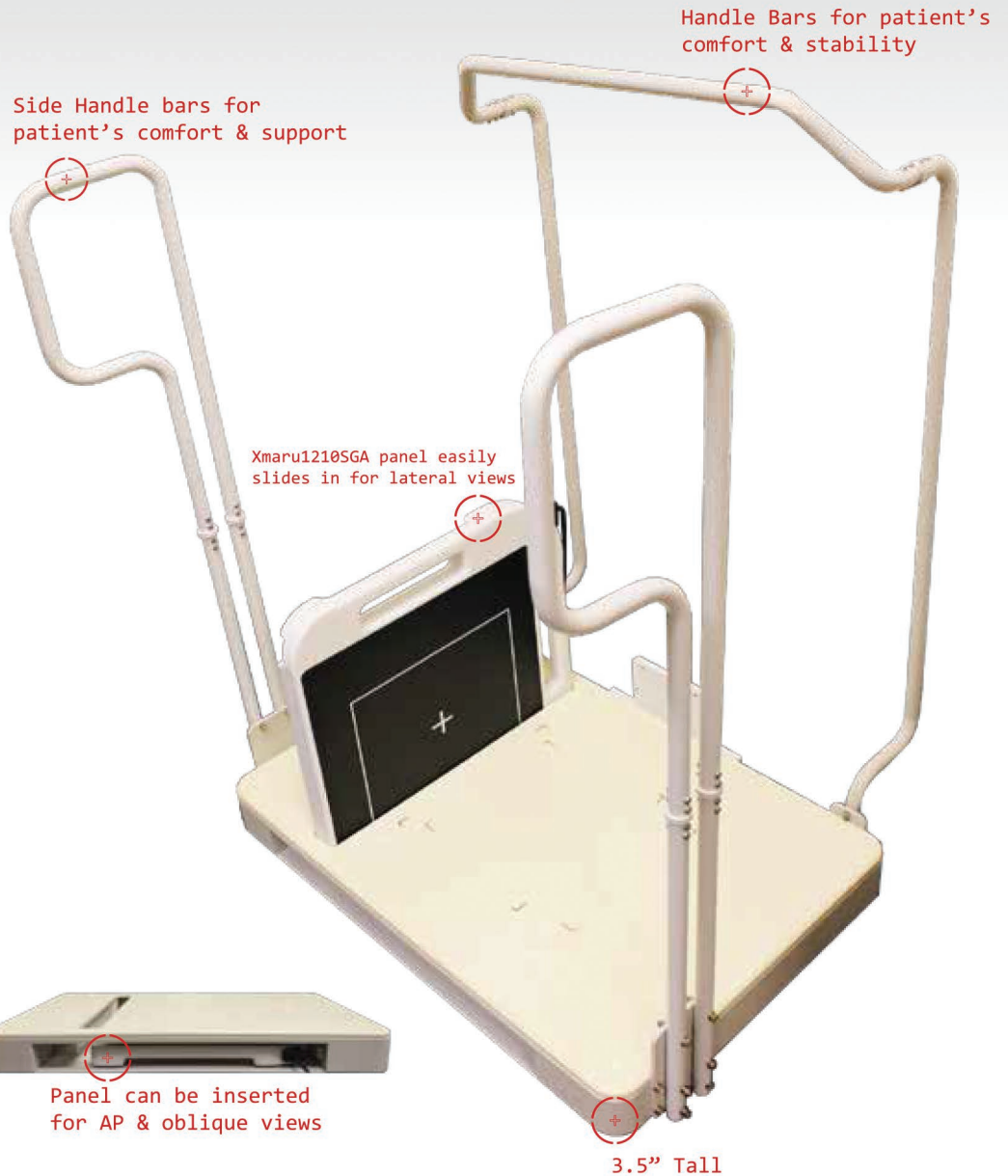
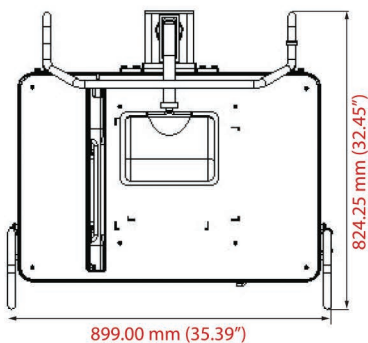
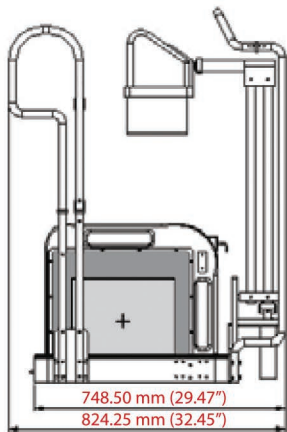
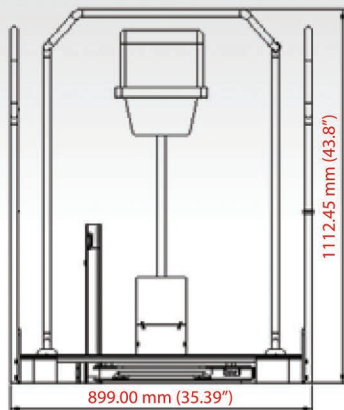
VR-POB 200
P-DR Bi-Directional Base

1210SGA
Flat Panel Detector

PODVIEWER
Acquisition Software

Xmaru VR-POB 200 + 1210 SGA

GadOx Detector - P-DR Bi-Directional Retro Fit Base



Can support up to 181 kg (400 lbs)

UPGRADE YOUR EXISTING X-RAY SYSTEM TODAY

- Latest hospital grade flat panel technology, not dated CCD or CR technology.
- Single detector housed in a dual handle encasement to provide easy maneuverability and rigidity.
- View Images in < 2 seconds
- No Film Processor or Cassettes
- Maximum throughput: > 300 images processed per hour (Fastest in the market)
- Line pair per mm: 3.9 lp/mm (Highest resolution in the market)
- Active Image matrix: 10.39" x 12.79" (largest available in the market)
- Sensor weight: 6.6 lbs. (lightest DR Detector available in the market)
- Sensor Type: Flat Panel a-Si TFT active matrix
- Warranty: 2 years
- P-DR Bi-Directional Base with Patient Support System
- custom-made ADA compliant base, allows you to retrofit your existing podiatry unit & qualifies for ADA Tax Credit
- Manufactured by Rayence

* contact us for make/model compatibility



WIDE IMAGE AREA

The Xmaru1210SGA delivers the right size detector for the proper application. No longer is there a need to use a larger, more bulky detector to achieve the desired view. Its light weight design and 10"x12" field of view provides the right size detector every time.



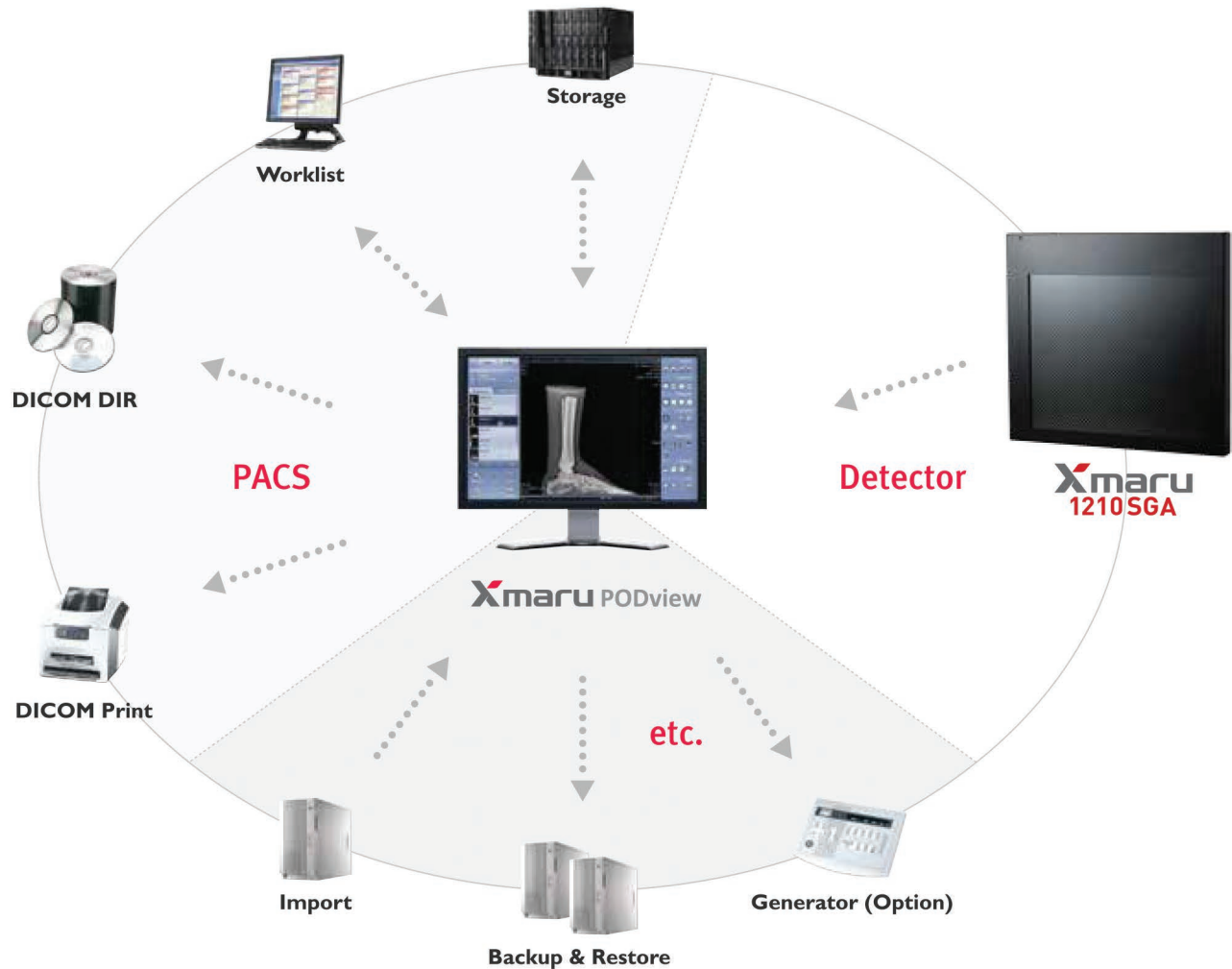
ADVANTAGES

- Auto Triggering (No integration required)
- Portability & Light Weight (6.6 lbs) 3.0 kg
- Adaptable to Various environments
- Improved Accuracy Diagnosis
- Superior Image Quality
- Compact Size
- 3.9 LP/mm resolution
- 127 μ m micron

Xmaru 1210SGA Detector Specifications

Model	Xmaru1210SGA
Detector Type	Gd2O2S:Tb
Pixel Matrix	2560 x 2080
Effective Pixel Matrix	2520 x 2040 (Guaranteed Pixel Matrix)
Pixel Area (Active)	325 x 264 mm
Pixel Pitch	127 μ m
A/D Conversion	14-bits
Energy Range	40 ~ 130 kVp
Data Output	Ethernet 100 Mbps
Operation Environment	Temperature +10 ~ +35 °C Humidity 30 ~ 75 % Pressure 70 ~ 106 kPa
Storage and Transportation Environment	Temperature -10 ~ +55 °C Humidity 10 ~ 80 % Pressure 70 ~ 106 kPa
Weight	3.0 kg

Rayence delivers an advanced digital x-ray solution that seamlessly integrates into any clinical workflow. The Xmaru PODView features rich software solutions that capture, view, and distribute digital images. With advanced Podiatry specific measurement tools and an easy-to-navigate interface, the Xmaru PODView provides a complete solution.



Basic Functions

- DICOM File Management
- DICOM Printing
- CD Burning with CD Viewer
- Image Magnification
- Image Stitching - Up to 3 Images
- Measuring the Length and Angles of the Image
- Paper Printing
- Adding Annotation Text, Graphics and Electronic Markers to an image
- Display the Studied Images Side-by-Side

Dealer Information:



800-356-3388
978-374-6371
Fax - 978-521-2214

49 Newark Street
Haverhill, MA 01832
sales@associatedxray.com
www.associatedxray.com

