

LIGHTWEIGHT PORTABLE INNOVATION



EzRay Air™

It satisfies all primary dental diagnostic needs by stable and clear images.

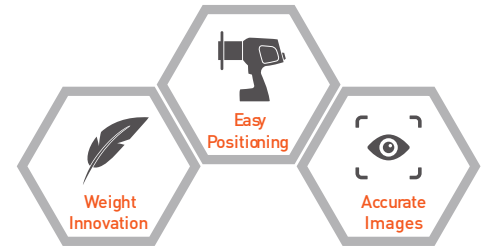
- Weight innovation with CNT (Carbon Nano Technology)
- 30% lighter than other handheld units.
- Lower dose
- Double scatter shield design for operator safety
- Lower cooldown times.
- Faster workflow, no warm-up time



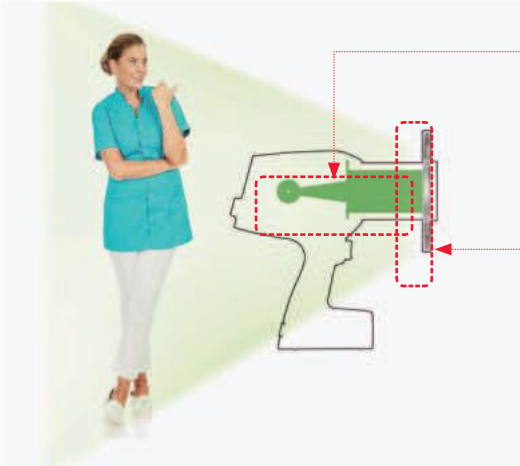
Easy Control Dial

Weight Innovation With CNT (Carbon Nano Technology)

The EzRay Air Portable is a lightweight portable X-ray device designed for easy handling and stable positioning for optimal image quality on your intra-oral X-rays.



Double Scatter Shield Design For Safety



INTERNAL SHIELDING

The internal radiation shielding is perfectly designed to protect the operator from radiation leakage.

EXTERNAL BACKSCATTER SHIELDING

Exposure to radiation results from the beam interacting with the surface of the patient, causing radiation to bounce off as radiation scatters in different directions.

The backscatter shield significantly reduces the amount of radiation being reflected.

Lower Cooldown Time, Faster Workflow

Due to unique efficiencies in Carbon Nano Technology which are not available in traditional x-ray generation methods, EzRay Air Portable has almost a 75% reduction in cooldown time between shots when compared to leading competitive devices.

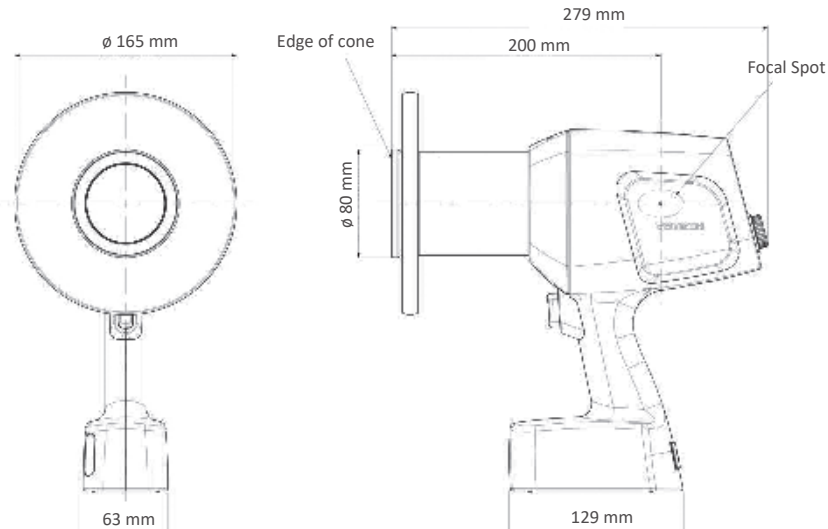
This allows users to spend less time waiting for their X-ray to be ready and more time in treatment, diagnosis and patient.

With no initial start up delay for conventional x-ray sources to warm up, it's Carbon Nano Technology allows for quicker exposure after you initially turn on the device, allowing for optimal workflow.



SPECIFICATIONS

Focal Spot	0.4 mm (IEC 60336)
Tube Voltage (kV)	65 kV
Tube Current (mA)	2.5 mA
Exposure Time Range	0.05 ~ 0.5 sec
Total Filtration	Min. 1.5 mm Al
Source to Skin Distance	200 mm
X-Ray Field	60 mm Round, 30 x 40 mm Rectangular
Maximum Duty cycle	1 : 30
Power Input	22.2 V
Weight	4.19 lbs.



EzRay Air™



MEDICAL X-RAY SYSTEMS
EQUIPMENT • SUPPLIES • SERVICE
800-356-3388

Associated X-Ray Imaging Corp.
49 Newark Street
Haverhill, MA 01832

Toll Free: 800-356-3388
Phone: 978-374-6371
Fax: 978-521-2214

www.associatedxray.com
sales@associatedxray.com