

Image-Vet®DC & Image-Vet®4G

- Superior Image Quality
- Seamlessly Compatible with EVA-Vet® Digital Dental Sensors
- Thousands of installations and growing
- Customer Care Program



Image-Vet® DC



**Horizontal - Left
(or Right)**



**Vertical - Top
(or bottom)**



Lighter Tubehead

DC technology allows high voltage to be generated from within the main timer, thus allowing for a much lighter and more stable positioning experience.



Unique Wireless Remote

The wireless remote can take exposures from virtually any distance with features that combine the best parts of anatomical and manual programming.

Three tooth types - incisors, canines and premolar/molar for both maxillary and mandibular arcades are available. KV and mA are automatically adjusted by either large or small patient type as well as the tooth selection.

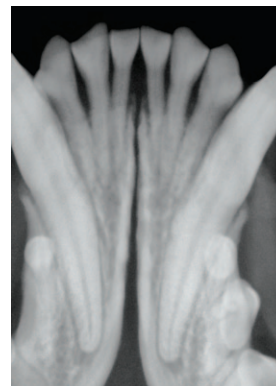
In addition, there are up (+) and down (-) buttons to either lighten or darken the radiograph as desired.

More Wall Mounting Options

The extreme versatility offered by four distinct wall mounting options allows unprecedented flexibility. The Image-Vet® DC has the most options for installers to work around and with existing cabinets, counters and other structures to ensure that the installation is in the best possible location.

Mobile Stand Option

An optional mobile stand is available when portability is a priority, multiple locations are needed, or existing structures make a mobile unit the best choice.



The World's Leading Veterinary Dental X-Rays

The **Image-Vet® DC & 4G** X-ray systems represent the latest generation in the Image-Vet X-Ray series from ImageWorks. The Image-Vet series evolved based on feedback from veterinarians and thought leaders in order to provide the best x-ray that is easy to use, provides sharp images and is economically priced.

The **Image-Vet® DC & 4G series** set the standard for veterinary dental radiography. They are the perfect choice for seamless integration with EVA-Vet Digital Dental Sensors and other digital dental systems. The majority of veterinary dentists use ImageWorks dental imaging products, which may be found in universities, major wet labs, veterinary dental training centers and private practices worldwide.

| DC Product Data | |
|---------------------------------|--|
| Generator | DC: Constant potential, microprocessor controlled |
| Voltage (kVp) | 60, 63, 65 kVp |
| Focal spot | 0.7 mm, square, IEC 336 |
| X-Ray field (at collimator tip) | 55mm or 60 mm round |
| Total filtration | 2.5 mm Al |
| Anode current (mA) | 6, 7 mA |
| Operating frequency | 145 KHz - 230 KHz self adjusting (175 KHz typical) |
| Exposure Time | 0.010 – 1.000 sec, R10 and R20 scale |
| Focus to skin distance | 30 cm /300 mm - (12") |
| Line voltage | 50/60 Hz, 115V ± 10% or 230V ± 15% |
| Duty cycle | Self regulating, continuous operation up to 1s/60s |
| Weight | 44.1 Lbs, (20Kg) |
| Weight of Tube-head | 11 Lbs, (5Kg) |
| Warranty | 2 year limited - phone and online support free for life |
| Extension Arms | Available in 3 lengths: 15.75" (400 mm) – 23.6" (600 mm) 35.4" (900 mm) |
| Certifications | CE 0051, cCSAus |

| 4G Product Data | |
|---------------------------------|--|
| Power supply | 120V ±10% 60Hz 230V ±10% 50Hz |
| Generator | AC: 70kV, 8mA |
| Focal spot | 0.8mm IEC 336 |
| Focus to skin distance | 20cm (7-7/8") standard |
| X-ray field (at collimator tip) | Diameter 60mm (2-3/8") |
| Duty cycle | 1:32 |
| Exposure times | 0.02 to 3.2s |
| Shipping weight | 70 Lbs (32 Kg) |
| Warranty | 2 year limited - phone and online support free for life |
| Extension Arms | Available in 3 lengths: 11.8" (300mm) - 23.6" (600mm) 31.5" (800mm) |
| Certifications | ETL for US (per UL 60601-1) and Canada (CAN/CSA-C22.2 No. 601.1-M90) |

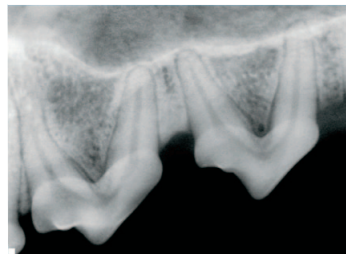
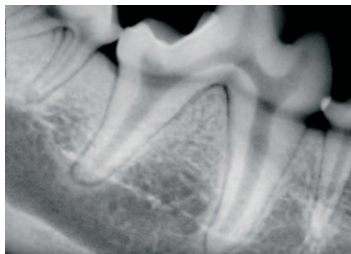
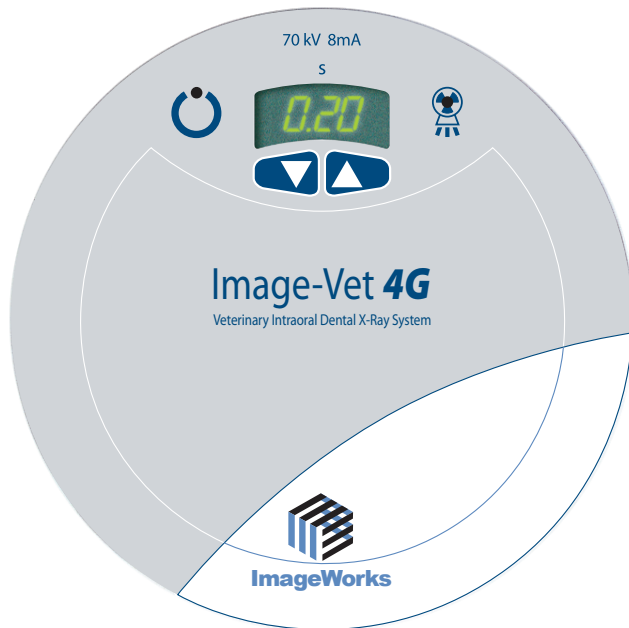


Image-Vet® 4G



Timer Faceplate

The easy-to-use timer has a wide exposure range for precise exposure settings.



Wall Mount Option

Three extension arm lengths are available to allow for a variety of variations with regards to wet table location. The Image-Vet® 4G fits perfectly into any practice.



Attention To Detail

The x-ray exposure switch has been carefully thought out to provide the best grip and ergonomics. The coil cord, (extendable to 10 ft/3m), is crafted to retain its shape and withstand years of rugged use.



Mobile Stand Option

For maximum versatility, the mobile-mounted Image-Vet® 4G allows you to use the x-ray wherever you would like.



Service After The Sale

ImageWorks distinguishes itself with an outstanding support program. The **Customer Care Program** offers free lifetime phone and online technical support in addition to support for hardware/software installation and software/application training. Online videos as well as Monthly and custom-scheduled free webinars are offered.

The necessity of taking dental radiographs for any veterinary practice cannot be overemphasized.

Testimonials

"ImageWorks has raised the standard of veterinary care by its commitment to veterinary dental imaging. No modern practice can ignore the advantages of intraoral radiography introduced by them".

~Jan Bellows, DVM, DAVDC
Home Town Animal Hospital and Dental Clinic
Weston, Florida



"The Image-Vet Dental X-Ray by ImageWorks is an invaluable tool for our Veterinary Technician Program. **The machine is simple to use and the radiographs we are able to take are amazing.** The Image-Vet has provided the students with the learning opportunities and background to become the veterinary technicians that can make veterinary dentistry a profit center for any practitioner. **ImageWorks has been a valuable partner and has provided amazing support in educating our students."**

~Randy Ackman, DVM
Kirkwood Community College
Cedar Rapids, Iowa



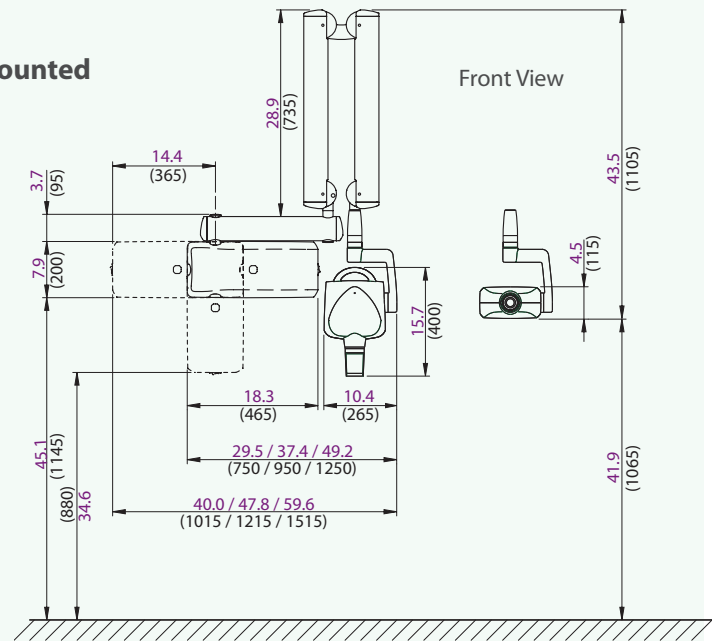
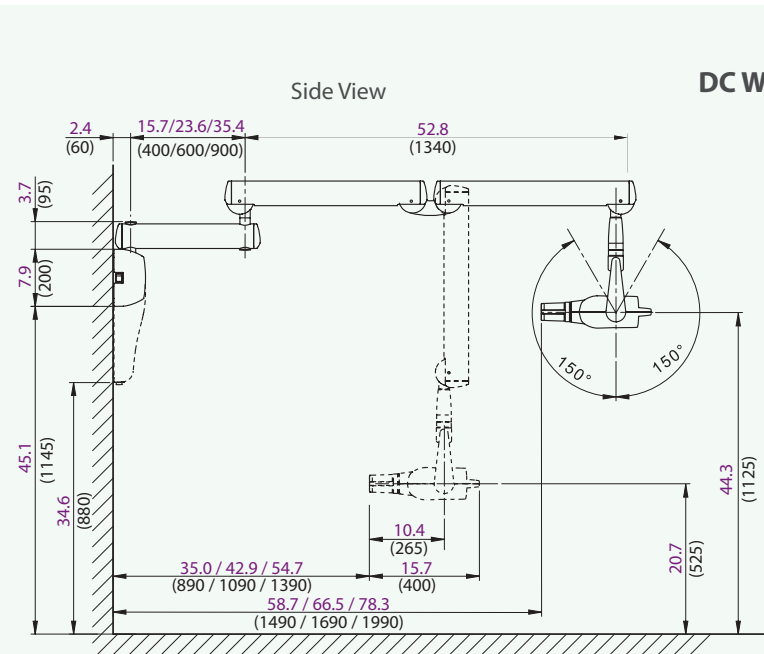
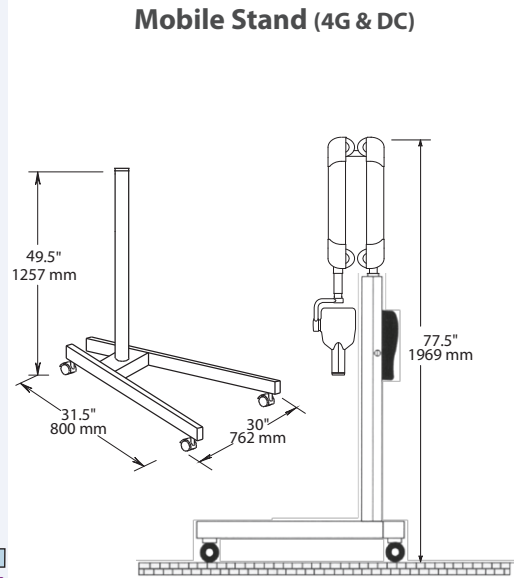
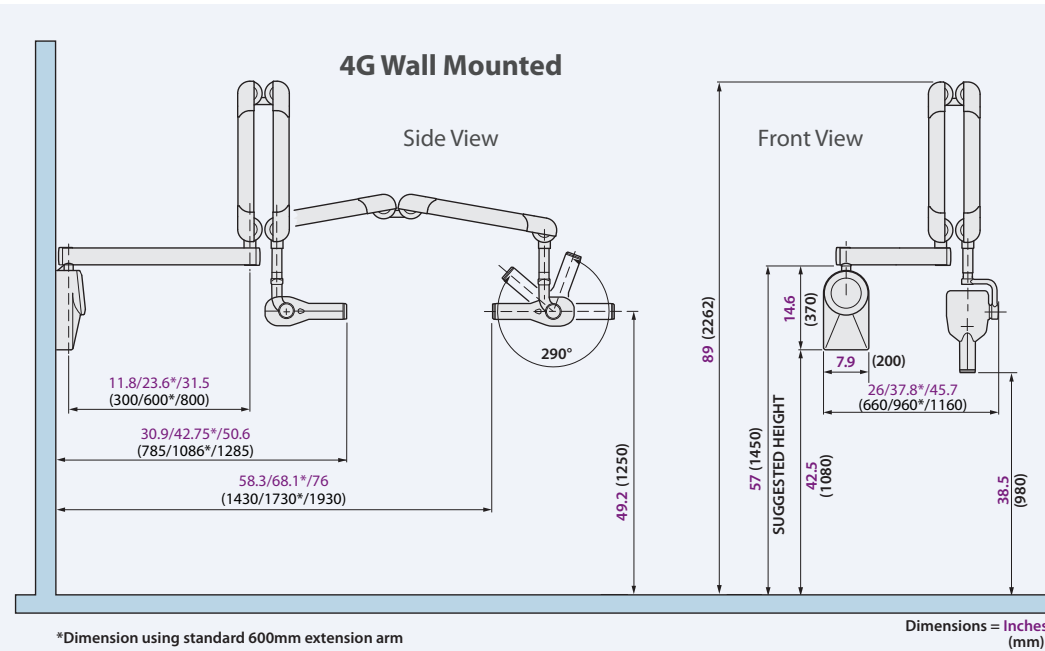
"We use the Image-Vet Dental X-Ray from ImageWorks for all of our dental imaging needs at the North Laurel Animal Hospital. **We love the product and feel that it is one that we would recommend strongly to other hospitals."**

~Andrew Cohn
North Laurel Animal Hospital
Laurel, MD



ImageWorks Dental Imaging Solutions For Every Veterinary Practice

Dimensional Data



In review in the spirit of technical advancement. Actual specifications are subject to improvement or modification without notice. Copyright © 2012 ImageWorks. All rights reserved. Reproduction in whole or any part of these contents without written permission is prohibited. Printed in U.S.A.

MEDICAL X-RAY SYSTEMS
EQUIPMENT • SUPPLIES • SERVICE
800-356-3388

Associated X-Ray Imaging Corp
49 Newark Street
Haverhill, MA 01832

Phone: 800-356-3388 • 978-374-6371
Fax: 978-521-2214

www.associatedxray.com
sales@associatedxray.com