

POWERMAX I260



- Maximum Power Output
- 3.0 kW Across Full kV Range
- 120 kV, 15 – 60 mA
- High Frequency - Power Factor Correction
- Universal Input Voltage
- Microprocessor Control
- CR/DR Compatible
- Light Weight
- Designed for Reliability
- Durable Powder Coat Finish
- Limited 3 year warranty



PowerMax I260 Provides maximum power, state of the art technology, system reliability and low maintenance, all in a small footprint, lightweight package.

The **PowerMax I260** was designed with agility in mind. Its compact, lightweight construction makes it easy for the operator to move the system effortlessly. Delivering maximum mR/mAs, the PowerMax I260 produces 3kW of power across the entire kV range. With its constant 3kW output, the **PowerMax I260** provides hospital quality imaging and offers an easy upgrade path for clinical sites transitioning to Digital Imaging.

The **PowerMax I260** provides the power required to compensate for the slower operating speeds of CR Systems, and is the ideal **High Power portable x-ray system** for organizations considering the purchase of CR Systems.

The **PowerMax I260** is suitable for use in Hospitals, Urgent Care Facilities, Medical Examiner Offices, Nursing Homes, Home Healthcare, Orthopedic Practices, Sports Medicine, Correctional Facilities, and Military Field Deployable Applications.

See why Source-Ray continues to set the Standard for **Quality Portable Imaging Solutions**.

Source-Ray, Inc.

POWERMAX 1260 ELECTRICAL SPECIFICATIONS

Generator
Power 3.0 kW across full range
Input Voltage 110 - 230VAC 50/60 Hz
kVp Range 40 – 120 kVp, adjustable in 1 kV increments - Closed loop regulation
Power Factor Correction

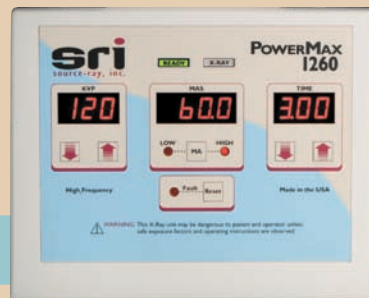
mA Range Adjustable, 15 mA - 60 mA - closed loop regulation
mAs Range 0.125 - 200
Exposure Time 0.01 – 3.33 seconds
Indicators Digital display of kVp, mAs and Exposure Time X-Ray, Ready, mA Station and Fault indicators.
Filtration 3.6 mm al minimum @ 100kVp
4.3 mm al minimum @ 120kVp
Exposure Switch Detachable two-position

X-Ray Tube
Target Material Stationary Anode 130 kVp
Anode Capacity Tungsten 30,000 HU Storage
Focal Spot 1.2 mm
Target Angle 15°

Collimator
Collimare CP-100-24-C
Laser Crosshairs
Center Locator
Tape Measure
SID Measurement
Inclinometer
Angle Measurement

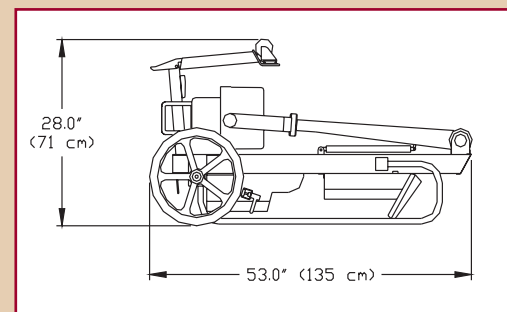
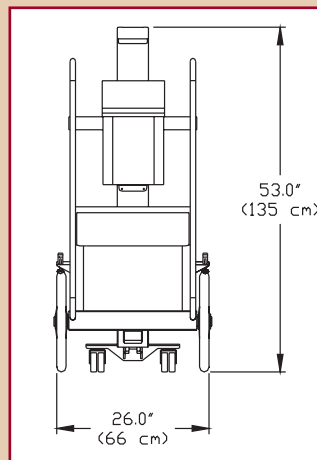
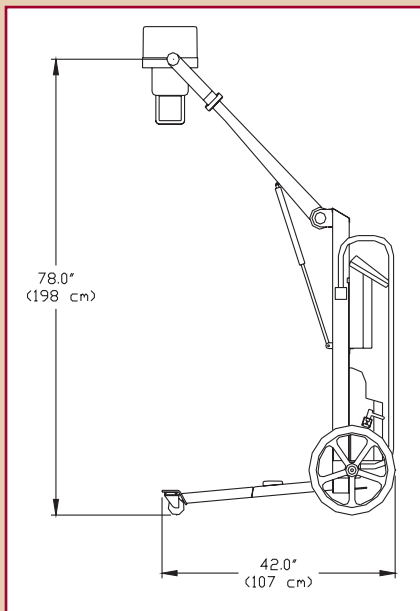
**Model SR-1260
Travel Stand**
Min. F/S to Floor 13" / 33 cm
Max. F/S to Floor 78" / 198 cm
Hor. Ext. of F/S 21" / 53 cm
Hor. Rotation 200°
Tube Rotation 270°

System Weight 110 lbs. / 50 kG



Complies with CFR 21 subchapter J

DIAGRAMS



sri
source-ray, inc.



MEDICAL X-RAY SYSTEMS
EQUIPMENT • SUPPLIES • SERVICE
800-356-3388

Associated X-Ray Imaging Corp
49 Newark Street
Haverhill, MA 01832

Phone: 800-356-3388 • 978-374-6371
Fax: 978-521-2214

www.associatedxray.com
sales@associatedxray.com