

**DEL MEDICAL**

# UArm *Series*

**Analog or Digital  
U-Arm System**

A world class direct digital imaging system with positioning flexibility and ease of use for all procedures.



**DEL MEDICAL**

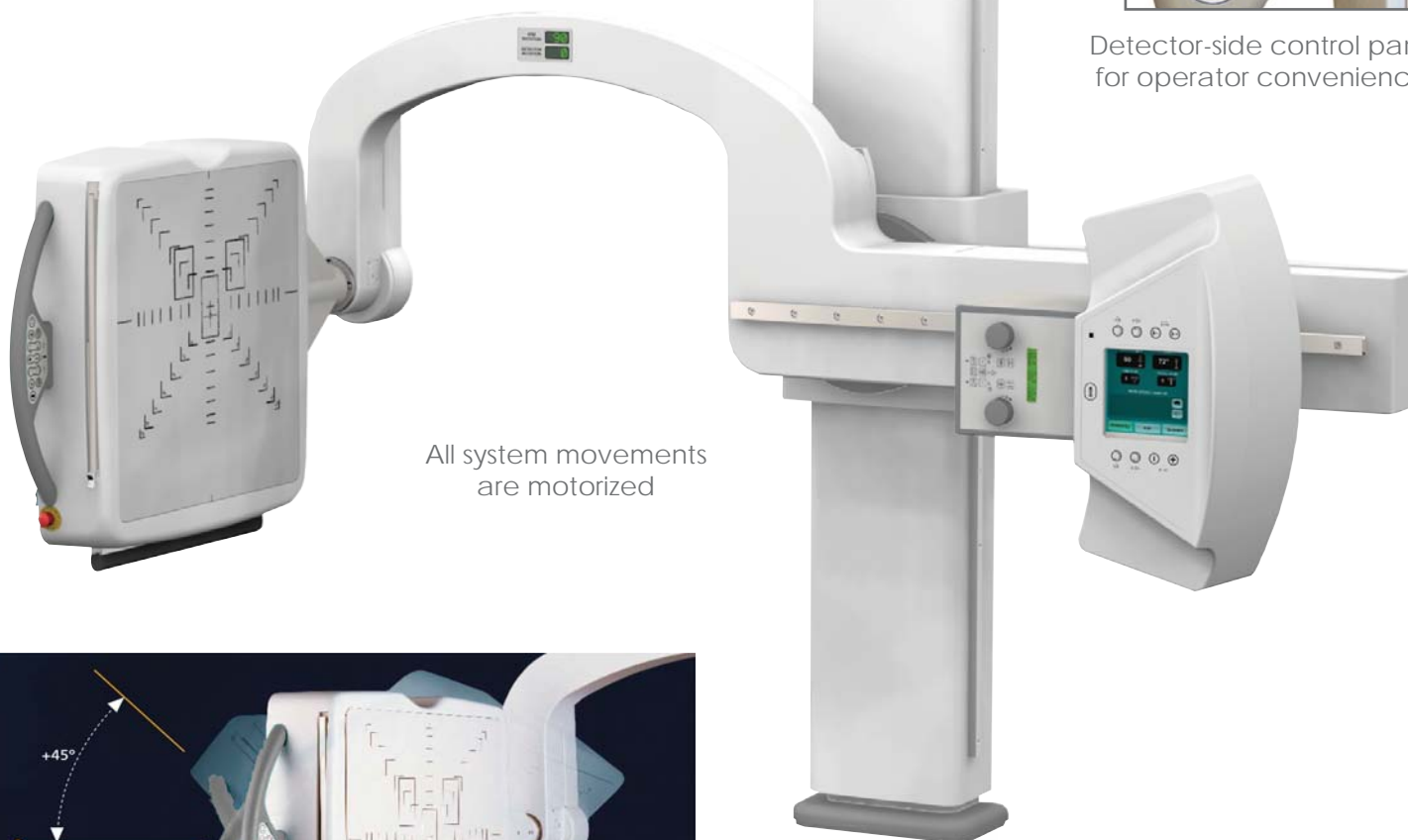
A **UMG** COMPANY

# DEL MEDICAL

## UArm

### POSITIONING FLEXIBILITY for all procedures

Del Medical UArm Systems are designed for use in hospital emergency rooms, orthopaedic and all general radiographic applications. The UArm maintains constant alignment between the x-ray tube and image receptor, regardless of tilt position or image receptor angle. The extraordinary flexibility of this system makes it ideal for all radiographic procedures including sitting, erect and recumbent positions.



All system movements are motorized



Detector-side control panel for operator convenience.



Image receptor rotates +/-45°

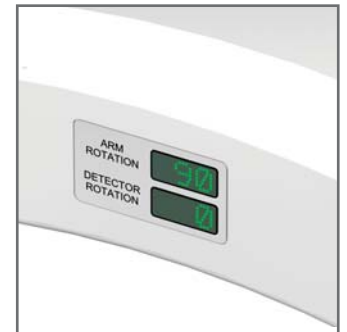


Take the Next Step with  
**DelWorks DR**

# UArmPlus

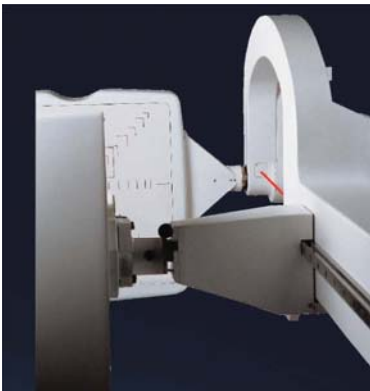


The **U-ArmPlus** features an Automatic Pre-Programmed Positioning Guide with pre-programmed areas of study (anatomical region and view). The Positioning Guide is accessible via an LCD touchscreen mounted on the x-ray tube cover. Once the area of study is chosen by the technician, the system will be ready to move to proper position, adjust the collimator shutter accordingly and have the specific x-ray parameters. The U-Arm Plus is also equipped with an LCD display on the Uarm indicating arm and detector rotation.

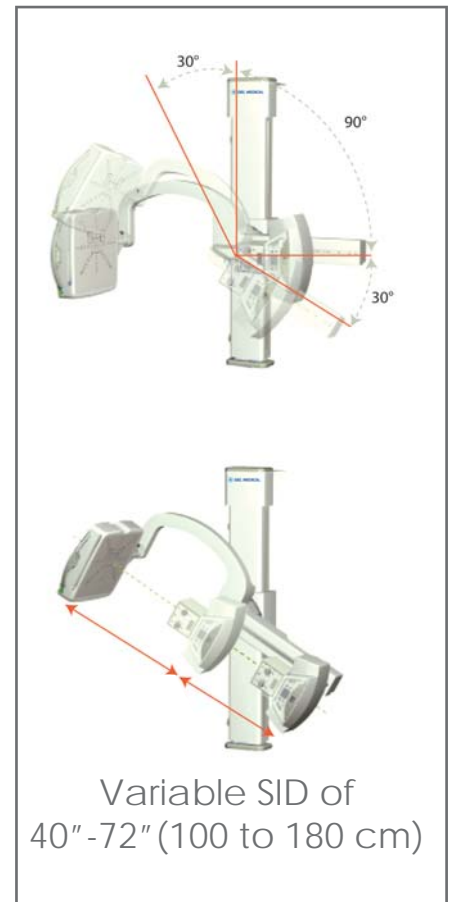


# UArm

Our standard UArm is an economical system with the same great positioning flexibility and motorized movements as our Plus model. The absence of the touch screen controls, positioning guide and LCD display on the UArm makes this system an affordable option for the budget conscious practice. Operator controls are conveniently located on the tube cover or detector side.



The intelligent, anti-collision system consists of two laser beams, a pressure sensor and a bumper detector, making patient positioning quick, easy and safe.



# DEL MEDICAL

## UArm Series

### Specifications

#### U-Arm

- Dual speed motorized movement for: SID adjustment, Arm elevating movement and rotation of the arm
- Vertical travel: 47.8" (1.215mm)
- Rotation angle 150° (90° +/- 30°)

#### Power Requirements

- Line voltage: 230; 240VAC (single phase)
- PPG: Power consumption: 2,5 kVa
- STD: Power consumption: 1,5 kVa

#### Detector Cabinet

- Integrated control panel
- Reciprocating bucky, 103 lines/12:1 ratio, f=59" (150cm) or Grid cabinet with non-oscillating interchangeable grids
  - a) 180 lines/12:1/f= 39.4" (100cm)
  - b) 180 lines/12:1/f= 70.9" (180cm)

#### Collimator

- Manual high luminosity power LED for light field projection

#### X-ray Tube

- 300kHU, 150 kVp, 0.6x1.2mm

#### Weights & Dimensions

- U-arm: 714.3 lbs. (324 kg)
- Mobile Table: 101.4 lbs. (46 kg)  
(LxWxH) 78.7"x25.6"x27.6"  
(2,000 mm x 650 mm x 700 mm)

#### Generator

- Choose 50kW or 80kW output available in three versions: line powered, battery powered or capacitor assisted

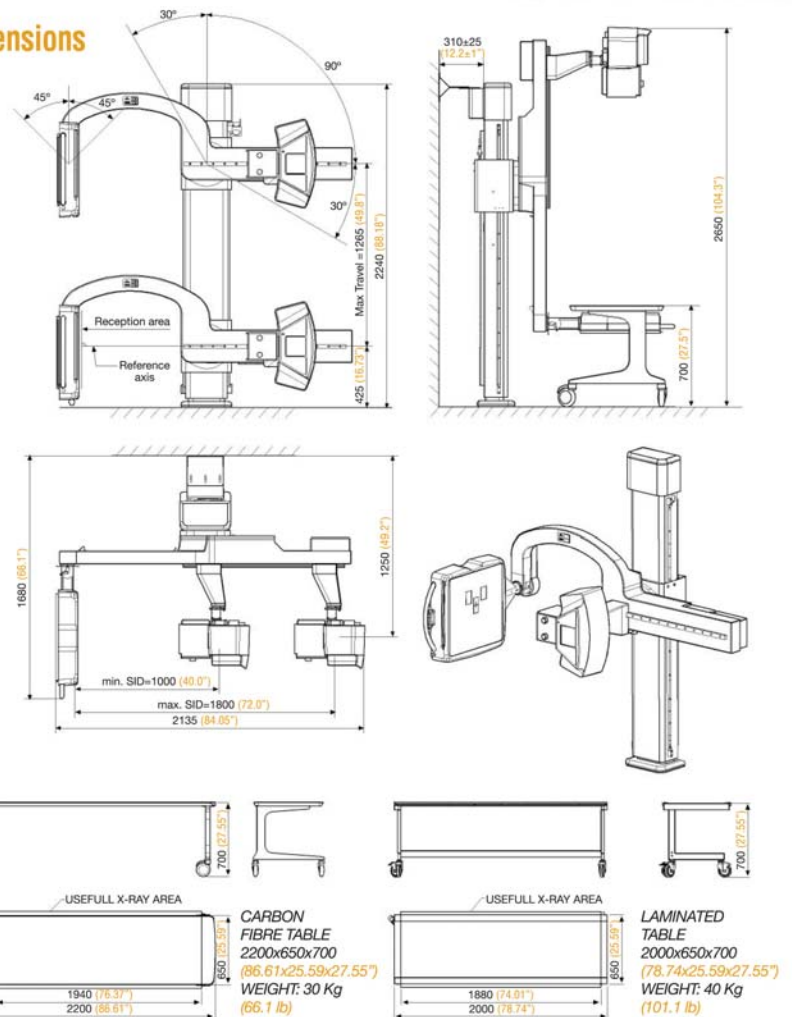
#### Systems Options:

- 400kHU, 0.6-1.2mm, X-ray tube
- Automatic collimator
- Mobile table with stratified laminated Table top and 441 lb. (200 kg) patient capacity or carbon fiber table top

#### Available Models

- U-Arm - Equipped with standard operator console
- U-ArmPlus - Equipped with LCD touchscreen console

#### Dimensions



**MEDICAL X-RAY SYSTEMS**  
EQUIPMENT • SUPPLIES • SERVICE  
800-356-3388

Associated X-Ray Imaging Corp  
49 Newark Street  
Haverhill, MA 01832

Phone: 800-356-3388 • 978-374-6371  
Fax: 978-521-2214

www.associatedxray.com  
sales@associatedxray.com